

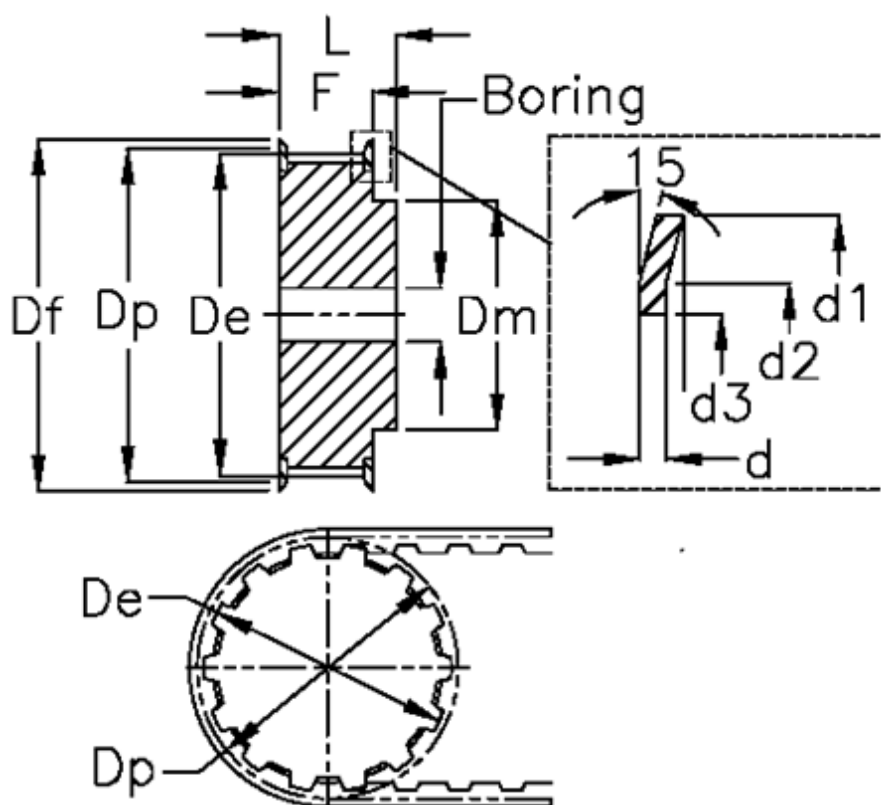
Data Sheet



Article number: 604140030006

Description: Timing belt pulley with hub
HTD 30 3M 6

Measures



Bore = 6	Dp = 28.65
d = 0.5	F = 9.8
d1 = 32	Flange type = F10
d2 = 27.5	L = 17.5
d3 = 23	Tooth number = 30
De = 27.89	Type = 3M
Df = 32	Weight = -
Dm = 20	Width = 06